



THE PROPAGATOR

6 Donner St.
Holmdel, NJ 07733
Editor: Bob Buus, W2OD

SEPTEMBER 2011

UPCOMING GSARA MEETINGS

The next regular meeting of the GSARA will be held on **Wednesday, September 7 at 7:30 PM** at the **American Red Cross** in Tinton Falls. This will be a regular business meeting. Guests are welcome and refreshments will be served. Please try to attend.

The second meeting in September will be held on **Wednesday, September 21 at 7:30 PM** at the Red Cross. This meeting will be a double feature. Joe Dreifuss, W2KQ will show some videos and speak about Army Communications in Vietnam. Also planned is a presentation by Steve Jackson, N2WLH on a very different and efficient way of attaching PL-259 connectors to coax. As always, guests are welcome and refreshments will be served.

W2GSA STATION OPEN SATURDAYS

The GSARA radio room at the Red Cross will be open Saturday afternoons for those wishing to operate or just "hang out". Go around the building to the back door for entrance. If you want to check to be sure that someone is there, call 732-493-9100 ext. 1252 which is the phone in the radio room.

PUBLIC SERVICE EVENTS

The Juvenile Diabetes Walk will be on Sunday morning, October 9 on the boardwalk in Avon and Bradley Beach.

The Red Bank Area CROP Walk takes place on Sunday, October 16. Registration begins at 12:30 and the walk begins at 1:30 PM.

If you can volunteer to help out with either or both of these events, please contact Tom Cosgrove, N2VFK at 732-842-6020 or n2vfk@verizon.net

TAPR CONFERENCE SEPT. 16-18

The Four Points Sheraton Hotel at Baltimore Washington International Airport is home base for the 30th annual ARRL/TAPR Digital Communications Conference, September 16-18.



This conference is an international forum for radio amateurs to meet and publish their work, as well as present new ideas and techniques.

Presenters and attendees will have the opportunity to exchange ideas and learn about recent hardware and software advances, theories, experimental results and practical applications. Read more at <http://www.arrl.org/news/30th-annual-arrl-tapr-digital-communications-conference>.

From *The ARRL Letter*, August 18, 2011

GSARA HAMFEST SEPTEMBER 10

The ARRL has approved our application for a ham fest to be held on Saturday, September 10 at the Monmouth Adult Education Community (MAECOM) in Tinton Falls (same location as our May 7 Hamfest). Admission will be \$5 per carload for buyers and \$15 per parking space for sellers. Tables for sellers are \$10 each. There will be VE exams at 10 am and food will be available all morning. See the flyer and directions on page 8.

GSARA HOMEPAGE

<http://www.gardenstateara.org>

HUDSON DIVISION HOME PAGE

<http://www.hudson.arrl.org>

GSARA OFFICERS

President	W2XYZ	Frank Wroblewski	942-7705
Vice Pres.	W2HTS	Howard Suffill	460-1885
Secretary	W2OD	Bob Buus	946-8615
Treasurer	W2KQ	Joe Dreifuss	493-4236
Engineer	N2LXM	Jeff Harshman	922-0816
Webmaster	KC2TKK	Josh Gluck	
Publicity	NJ2H	Bill Shockley	207-4466
Trustees	KG2NV	Don Pingitore	229-2925
	W2OD	Bob Buus	946-8615
	W2HAM	Lou Russo	842-6431

PROPAGATOR AVAILABLE BY E-MAIL

Would you like to help the finances of GSARA and at the same time get your issue of *The Propagator* a few days earlier? You can get every issue e-mailed to your computer every month by simply giving your e-mail address to Josh Gluck, KC2TKK and request *The Propagator* electronically. Josh's e-mail address is <kc2tkk@gardenatateara.org>.

BADGES AND PATCHES

If you would like a GSARA name badge, you may order one by getting a Badge Order Form from our Secretary, **Bob Buus, W2OD**, filling it out and turning it in to Bob with your \$7.00 payment.

We also now have patches available at all meetings and they cost \$3.

OUTGOING QSL CARDS

If any GSARA members wish to combine their QSL cards that are going through the outgoing ARRL Bureau, please bring them to the next GSARA meeting along with the label from a recent QST Magazine (you must be an ARRL member to participate in this program). We then send them as a group at no charge to GSARA members. It couldn't be much easier than that to QSL. You are registered at the W2 incoming bureau, aren't you?

PROPAGATOR NOW ON THE WEB

The *Propagator* is available as a PDF file at:

<http://www.gardenstateara.org>

Click on "The Propagator" and then select the month you want.

EDITOR'S NOTES

I was in Indianapolis during Hurricane Irene so I read about the destruction and flooding from afar with the smug knowledge that all would be cleaned up by the time I returned to NJ. **WRONG!** I got home Tuesday to find no power restored yet at my house and the estimate from JCP&L was not very promising. Fortunately, power was restored by Wednesday afternoon so I could continue working on this edition of *The Propagator*. Unfortunately, this has delayed getting this issue out but better late than never.

Hats off to GSARA member Sagar Gupta, KC2VSG who will be presenting a paper at the TAPR Digital Communications Conference in Baltimore on September 17 (see page 1). Sagar has taken position information from the GPS in an Android phone, sent it via Bluetooth to a laptop where he converts it to a serial data stream to feed an APRS radio or TNC. Sagar is only 17 years old but knows the technology better than most of us Old Timers. Nice work, Sagar!

Plan now for the GSARA Hamfest coming up on Saturday, September 10 at the usual location (see page 8). See Joe, W2KQ if you can help out but in any case, plan to attend. We need more people attending to attract the larger vendors such as KJI.

The response to Puzzle #10 was the same as last month with 5 people reporting the correct solution. I'm trying another circuit problem this time (see page 6) that I hope piques your interest. Comments and feedback are always appreciated.

If you are interested in obtaining a gardenstateara.org email address which will give you webmail and POP3/SMTP access, please send an email to Josh at kc2tkk@gardenstateara.org with your First Name, Last Name, and Call Sign. Your email address call_sign@gardenstateara.org will be created and the login information sent back to the email address your request came from.

Remember if you change your e-mail address; please be sure to inform Josh Gluck, KC2TKK.

As always, I appreciate feedback or material for *The Propagator*. The deadline for the October issue is September 15.

73 de Bob, w2od@arrl.net

MINUTES OF AUGUST 3 MEETING

By Bob Buus, W2OD, Secretary

President Frank Wroblewski, W2XYZ called the meeting to order at the Red Cross at 7:39 PM. There were 13 members and one guest present. The guest was Ron Rugg, N2FFL from Shrewsbury. After the pledge to the flag, all members introduced themselves.

Health and Welfare

Bill, NJ2H is in the hospital recovering from surgery but is doing well.

Secretary's Report

A motion was made by Jeff, N2LXM and seconded by Ray, W2NXG to accept the minutes of the July meetings as published in the August Propagator. The motion was accepted unanimously.

Treasurer's Report

Treasurer Joe, W2KQ presented the treasurer's report. A motion was made by Ralph, KC2YNL and seconded by Jeff, N2LXM to accept the report. It was accepted unanimously.

Old Business

A motion was made by Bob, W2OD and seconded by Jeff, N2LXM to add a new Section VII to the By-laws that states:

In the event of dissolution of the Garden State Amateur Radio Association, all assets remaining after all debts are satisfied shall be donated to the American Red Cross.

This change was published in the August Propagator. The members present voted unanimously for this change.

GSARA shirts have come in for those who ordered them. They are \$20 each.

There were six students who took the one-day Technician class at the Red Cross on Saturday, July 23. Only one passed the test. The others had not prepared by reading the book in advance.

Steve, N2WLH donated the cable required to repair the crank-up tower on the trailer. The restoration of the tower is proceeding nicely thanks to the efforts of Ted, N2KPS; Ralph, KC2YNL; Tony, KA32ZSI; and Jeff, KC2ZDK.

With the revised By-Laws, Bob, W2OD is preparing the package to go to the State Gaming

Commission. Hopefully, we will get our license before the September 10 Hamfest.

Hamfest

The GSARA Hamfest is coming on Saturday, September 10. A flyer has been designed and is being distributed. Tickets can be printed for \$40 for 500 tickets. These would have a drawing stub and space to write name and address. Hopefully, we will also be able to put our Gaming Permit number on them.

Public Service

The last two Public Service events for 2011 are coming up in October. The Juvenile Diabetes Walk will be on Sunday morning, October 9 on the boardwalk in Avon and Bradley Beach.

The Red Bank area CROP Walk is Sunday afternoon, October 16. If you can help out in either of these events, please contact Tom, N2VFK.

New Business

A number of amateurs in the area have expressed an interest in putting a marker on the grave of Mike, W2EXQ-SK. A motion was made by Frank, W2XYZ and seconded by Ray, W2NXG to have GSARA donate \$100 toward purchasing a marker for the grave of Mike, W2EXQ-SK. The motion passed unanimously.

Announcements

ARISSat-1 has been launched from the ISS and is reported to be working. Listen for it on 145.95, 145.919, 145.939 and 145.92 with BPSK telemetry on the latter.

Closing

The 50-50 drawing for \$14 was won by Laura, N2HGI. A second drawing for the Emergency Communications Book was won by Ray, W2NXG. There being no further business, a motion was made by Jeff, N2LXM and seconded by Laura, N2HGI to close the meeting. The motion was accepted unanimously and the meeting adjourned at 8:38 PM.

MINUTES OF AUGUST 17 MEETING

By Bob Buus, W2OD, Secretary

President Frank, W2XYZ brought the meeting to order at 7:43 pm with 20 members present and three guests. The guests were Bill Hudzik, W2UDT, our featured speaker from Gillette, NJ, Arnold Peterson,

AB2N from Lincroft and Rod Grindell, N3JAZ (W2KQ's son-in law) from Maine. After the pledge to the flag, all present introduced themselves.

Old Business

Jeff, N2LXM reminded all that the Lighthouse weekend is this coming weekend. He is planning on operating N2LXM from Twin Lights. OMARC is planning on operating N2MO from Sandy Hook and Neptune ARC will operate WR2DX from Sea Girt. Listen for them and work them if you can.

Joe, W2KQ reminded everyone that the GSARA Hamfest is just over three week away. Members are asked to volunteer to help out.

New Business

Ray, W2NXG suggested that GSARA have a program on message handling sometime in the future. The suggestion will be considered by the officers.

Program

Bill Hudzik, W2UDT is the new Vice Director of the Hudson Division and former Section Manager for NNJ. He brought us up to date on ARRL activities and listened to our comments and concerns.

Bill is also a long-time member of the NJ DX Association and gave a formal presentation on how the incoming W2 QSL Bureau works.

Close

A 50-50 door prize of \$17 was won by Tony, KA2ZSI. There being no further business, a motion was made by Ray, W2NXG and seconded by Lou, W2HAM to close the meeting. The motion passed unanimously so the meeting was closed at 8:54 PM.

RTTY DXCC AWARD RENAMED

At the [2011 Second Meeting of the ARRL Board of Directors](#), the Board voted to change the name of the RTTY DXCC Award to the Digital DXCC Award. In changing the name, the Board took into account that Amateur Radio technology has advanced to include many variations of digital communications. On July 25, the word "Digital" began replacing "RTTY" on these DXCC certificates.

From *The ARRL Letter*, August 11, 2011

HEATHKIT RETURNS WITH NEW KIT

A notice on the Heathkit website announces that the venerable kit manufacturer, well-known to all Amateur Radio operators of a certain age, will be reentering the kit business in late August. The notice states, in part: "Heathkit will debut their new line of Do-it-Yourself kits for common around-the-house items. The first kit will be a Garage Parking Assistant (GPA). The Garage Parking Assistant kit lets you build your own system that uses ultrasonic sound waves to locate your car as it enters the garage. The system signals to the driver using LED lights mounted on the wall when the car is detected and in the perfect spot for parking. Read more here.

From *The ARRL Letter*, August 25, 2011

INTERNET SECURITY ADVICE

Many people are unaware of the main difference between <http://> and <https://>. It's all about keeping you secure. HTTP stands for Hypertext Transport Protocol, which is just a fancy way of saying it's a protocol (a language, in a manner of speaking) for information to be passed back and forth between web servers and clients. The important thing is the letter S which makes the difference between HTTP and HTTPS. The S (big surprise) stands for "Secure".

If you visit a website or webpage, and look at the address in the web browser, it will likely begin with the following: <http://>. This means that the website is talking to your browser using the regular 'unsecure' language. In other words, it is possible for someone to "eavesdrop" on your computer's conversation with the website. If you fill out a form on the website, someone might see the information you send to that site.

This is why you never ever enter your credit card number in an [http](http://) website! But if the web address begins with <https://>, that basically means your computer is talking to the website in a secure code that no one can eavesdrop on.

You understand why this is so important, right? If a website ever asks you to enter your credit card information, you should automatically look to see if the web address begins with <https://>. If it doesn't, there's no way you're going to enter sensitive information like a credit card number.

GSARA MISSION STATEMENT

Frank, W2XYZ and Bob, W2OD put together the following Mission Statement to satisfy the needs of the NJ Gaming Commission.

The Garden State Amateur Radio Association (GSARA) is dedicated to promoting the amateur radio service in the communities of central New Jersey. It is closely affiliated with the American Red Cross organization. GSARA is the organization's primary means of communications to subordinate Red Cross chapters and clients throughout New Jersey in times of normal communication failures due to regional disasters. It is pledged to not only provide emergency communications services to the Red Cross but to also conduct training classes for those desiring to enter the amateur radio service and to participate in various emergency preparedness tests and drills. The radio room at the Red Cross headquarters as well as the requisite antennas outside the building are equipped and maintained by the GSARA.

The GSARA also supports the Amateur Radio Emergency Service (ARES) by encouraging members to participate in weekly ARES communication net held in the area. As a public service, the GSARA provides communication support for the annual Multiple Sclerosis MS-170 bike-a-thon each spring and for the Juvenile Diabetes and CROP walks in the fall.

The GSARA distributes a monthly bulletin to all members to apprise them of upcoming activities and programs. To further educate the members, at least one meeting per month is dedicated to a presentation regarding some aspect of amateur radio.

Please visit www.gardenstateara.org to learn more about GSARA.

OMARC HAMFEST SEPTEMBER 24

Saturday, **September 24** is the OMARC Tailgate Hamfest at the Diana site off Marconi Road in Wall. Admission is \$5 per person and the gate opens at 7:30 AM. For more information, go to www.omarc.org and click on "Hamfest."

ARRL SEPTEMBER VHF QSO PARTY

September is here, and that means the VHF bands have been getting a workout. "If you've never experienced the fun of VHF+ operating, the ARRL September VHF QSO Party, the weekend of September 10 is a great place to start," said ARRL Contest Branch Manager Sean Kutzko, KX9X. "With many HF radios now offering at least 6 meter SSB/CW capabilities -- and some offering 2 meters and 70 cm as well -- any amateur with a Technician class license or higher can experience long-haul communication on the VHF bands."

Kutzko explained that September is known for having good tropospheric propagation, as opposed to June, which is known for sporadic-E, or E-skip. "As the summer winds down, the sporadic-E season comes to an end and good tropo conditions flourish," he said. "A modest station -- say a 50 to 100 W SSB/CW transceiver and a small Yagi on 2 meters -- can, with favorable conditions, make QSOs several hundred miles away. If conditions are excellent, QSOs of more than 1000 miles are possible." Read more here.

From *The ARRL Letter*, September 1, 2011

EXAM Q&A AVAILABLE ON KINDLE

The fourth edition of [ARRL's General Q&A](#) is now available from Amazon.com for the Kindle. This e-book is your authoritative guide to every question in the General (Element 3) question pool -- everything you need to pass your General class license exam. The e-book includes every question -- and answer -- in the General class question pool, utilizing a multiple-choice format similar to the one on the actual exam. The current General class question pool is valid through June 30, 2015.

Kindle is shaped much like a book, with a paper-like screen that displays text and pictures. You do not need a Kindle to download and purchase the General Q&A: those who have the Kindle application installed on their [Apple iPhone iPod touch](#), Android smartphone -- or even on their computer -- can download the book for use on these devices. Each version of the Q&A lets you review questions and answers from that element's entire question pool so you can pass your exam. The [Tech Q&A](#), [General Q&A](#) and [Extra Q&A](#) are available from Amazon.com for \$9.99 each.

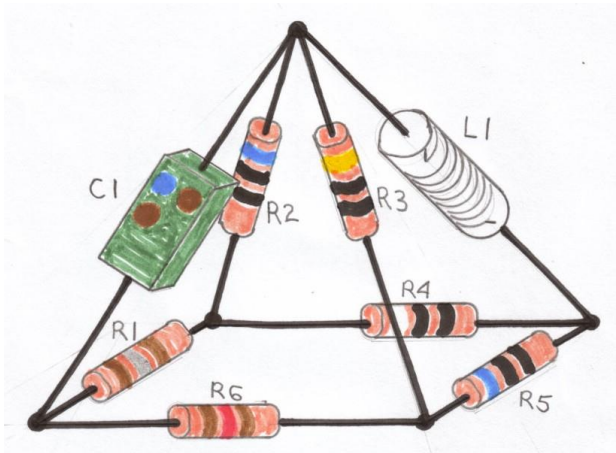
From *The ARRL Letter*, August 11, 2011

FIFTEEN YEARS AGO

From the September 1996 Propagator: Bruce, K2QXW reported that the GSARA picnic held on August 17, 1996 at Fireman's Field in Ocean Township was a success with 35 attendees. Jeff, N2LXM will be conducting weekly classes starting in September at Fort Monmouth for the Tech license. Lighthouse operation from Sandy Hook in August was successful with about 350 QSOs. The Hamfest at Brookdale is coming up on October 13. In spite of much opposition, a report and order was adopted by the FCC requiring RF Safety guidelines for amateur stations. Vanity call sign Gate 2 opens September 23 permitting Extra Class holders to apply for a vanity call sign.

PUZZLE #11 –THE PYRAMID

I invited an artist friend to go through my junk box to see if he could create a work of art from various electronic parts. He came up with the following pyramid:



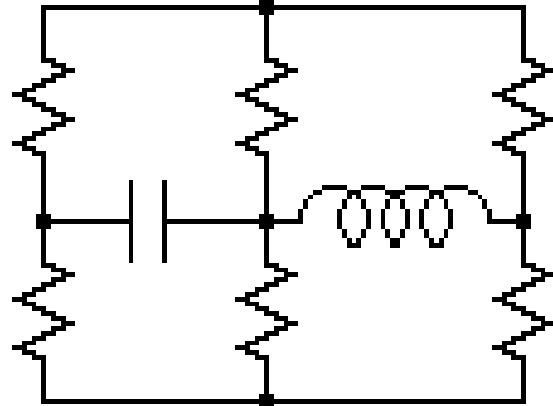
I asked the artist what this pyramid was good for and he replied that “it was a colorful thing of beauty.” But I insisted that it should have some practical use and he replied “Use it for a dummy load.” He obviously doesn’t know what he is talking about since I never heard of a dummy load with coils and capacitors in it. I decided to analyze the circuit and need your help.

First, let’s find the value of all of the components (fill in the values):

- L1 is marked as 10 microhenries
- C1 is Brown-Blue-Brown = _____ pF.
- R1 is Brown-Gray-Brown = _____ ohms.
- R2 is Blue-Black-Black = _____ ohms.

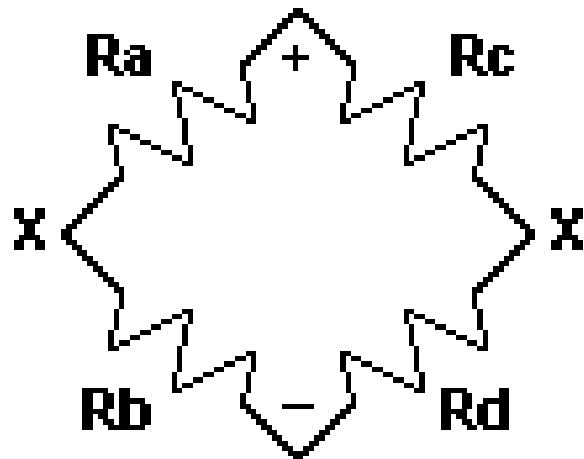
- R3 is Yellow-Black-Black = _____ ohms.
- R4 is White-Black-Black = _____ ohms.
- R5 is Blue-Black-Black = _____ ohms.
- R6 is Brown-Red-Brown = _____ ohms.

Next, we’ll draw a two-dimensional schematic of the pyramid circuit.



Label all of the parts on the schematic with their proper values.

Now find the dc resistance between the top and bottom of the schematic. Hint: It helps to know how the following bridge circuit works:



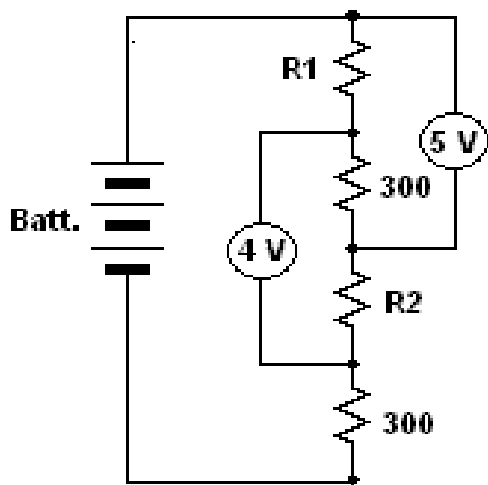
If $R_a=R_b=R_c=R_d$, the bridge is balanced and whatever voltage is applied across + and - will result in no voltage between points X. This is also true if the ratio $R_a/R_b =$ the ratio R_c/R_d .

Finally, find the impedance at 3.977 MHz between the top and bottom of the schematic.

Send your answer to w2od@aol.com

SOLUTION TO PUZZLE #10

A voltmeter across R1 and the 300 ohm resistor reads 5 volts. Another voltmeter across the 300 ohm resistor and R2 reads 4 volts. What is the voltage of the battery?



Simplest solution: Note that the 4 volts measured across the upper 300 ohms resistor and R2 would read the same if it were across the bottom 300 ohm resistor and R2 so the battery voltage is simply the sum of the two voltmeter readings or 9 volts.

You could also write an equation for the battery voltage as: $V = I(R1+300) + I(R2+300)$. Note that $I(R1+300)$ is what the 5 volt meter reads. $I(R2+300)$ is what the 4 volt meter reads. Thus the battery voltage is $5+4 = 9$ volts.

Another way to solve the problem is to assume some value for the current I. If $I = .01$ (10 mA), then there will be 3 volts across each 300 ohm resistor. That leaves 2 volts across R1 to get 5 volts and 1 volt across R2 to get 4 volts. The total battery voltage is then $2+3+1+3 = 9$ volts. Note that you could get the same result assuming a different current. For example, if $I = .001$ (1 mA), the drop across each 300 ohm resistor would be 0.3 volts. This puts the drop across R1 at 4.7 volts and the drop across R2 at 3.7 volts. The battery voltage would then be $4.7+0.3+3.7+0.3 = 9$ volts. Of course, if you assume a current greater than 13.33 mA, there would be more than 4 volts across the 300 ohm resistors so R2 would have to be a negative resistor to get 4 volts across the series combination.

Congratulations to Bruce, K2QXW; Matt, W2AOJ; Tom, N2VFK; Jeff, N2LXM; and Frank, W2XYZ for all coming up with the correct solution (not necessarily the simplest one).

ARRL LAUNCHES ONLINE FORUMS

To assist League members in communicating with one another and with ARRL staff on topics of common interest, the ARRL has established three forums -- Contesting, Awards and Technology -- on the ARRL website. Visit www.arrl.org/forums to chat with fellow hams about these topics. Additional forums are planned once we have gained some experience with these three. ARRL members, guest users and others can view the threads, but in order to participate in the conversations or ask questions, you must be logged in as an ARRL member. All users should read the [forum rules](#) before participating.

From *The ARRL Letter*, August 11, 2011

AREA AMATEUR EXAM SESSIONS

Amateur radio exam sessions in this area are as follows but please check with the contact person.

Wall Township, Camp Evans Area on Marconi Road: The next exam will be at the OMARC Hamfest (see p. 5) on September 24 at 10 AM. Contact Pat Brannick, N2BZD at 732-267-0308 or e-mail to pbrannick@gmail.com.

Middletown, Croyden Hall on Leonardo Road: Exams are on the second Tuesday of every month at 7 PM. Contact Mario Sellitti, N2PVP 732-787-7184 or e-mail to n2pvp@n2pvp.com.

Toms River, Riverview Park Recreation Building: Exams are held on the third Thursday of every month at 7:30 PM. Contact Ed Genoino, WA2NDA at 609-971-2792, wa2nda@aol.com.

Toms River, Holiday City South Clubhouse, Meeting Room #1, Mule Road at the corner of Santiago Drive on the second Wednesday of every month at 7 PM. Contact Larry Puccio, K2QDY, 732-349-2950 or lpuccio1@comcast.net. Directions at the HCARC website www.hcArc.us.

In all cases, the fee is \$15 and you should bring the original and a copy of any amateur license presently held and original and one copy of any credit (CSCE) forms you have. Also bring 2 forms of ID with one being a picture ID.



GSARA

**PRESENTS OUR 4TH SEMI-ANNUAL
ARRL SANCTIONED HAMFEST**

WHEN: Saturday, September 10, 2011

**WHERE: MOESC (Formerly MAECOM)
100 Tornillo Way
(intersecting with Shafto Rd.)
Tinton Falls, NJ 07712
Lat/Long: 40.2704/-74.0818**

**TALK-IN: 147.045 +600 PL 67.0
AND The NJ LINKED SYSTEM**

**VE License Testing: 10 AM
(Bring Photo ID)**

**Free hourly door prize drawing,
PLUS major prize (*donated by KJI
Electronics*) drawing at NOON**

There will be Food and Free Parking.

**Many vendors available----> including KJI
Electronics**

Buyer admission only \$5 per Car Load

**Vendors \$15 per Parking Space (Includes
Admission).**

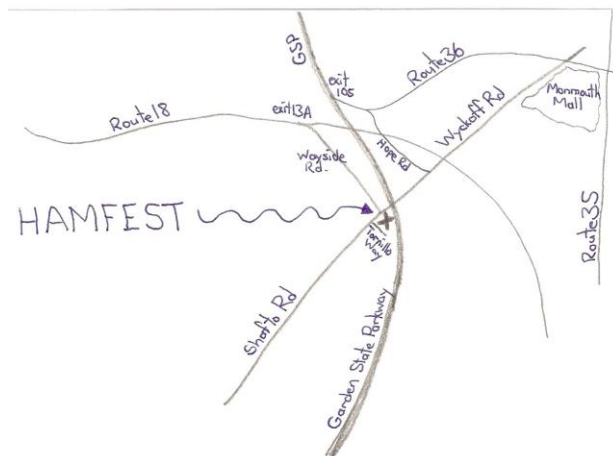
**Tables may be rented @ \$10 Ea but
reservations required.**

**For information and reservations contact
W2KQ@arrl.net or (732)493-4236**

**and check our web site at:
<http://www.gardenstateara.org>**

Plan to attend

MAP AND DIRECTIONS



From the North Via Route 18: Take route 18 South to Wayside Road South, Exit 15B. Proceed along Wayside Road South till you come to traffic light (Shafto/Wyckoff Road). Go straight through light and turn into our parking lot.

From the South Via Route 18: Take Route 18 North to Exit 13A/Wayside Road South. This will put you onto Wyckoff/Shafto Road west. Go through two lights. At the third light you will see our building on left. Turn into our parking lot.

From the Garden State Parkway (North or South): Get off the Garden State Parkway at Exit 105. (If coming from the South, stay left). As you exit make a right onto Hope Road. Take Hope Road to traffic light and make a right. This is Shafto/Wyckoff Road. Go through one light. At the next traffic light you will see our building on left. Turn into parking lot.

From Route 35 North or South: Take Wyckoff Road west from Monmouth Mall. Go through four lights. At the fifth light you will see our building on left. Turn into parking lot.

From the South via Route 34: Take route 34 North. At Wyckoff/Shafto Road make a right and go east. At fourth traffic light make a right turn into our parking lot.

From the North Via Routes 33/34: Take Routes 33/34 South to Collingswood Circle. Go around circle and get on Route 33. Go through light at Wyckoff/Shafto Road and make right to proceed on Wyckoff/Shafto east. At fourth traffic light make a right turn into our parking lot.

VANITY CALL FEE UP SLIGHTLY

On August 10, the FCC announced via a Final Rule in the *Federal Register* that the cost of an Amateur Radio vanity call sign will increase 90 cents, from to \$13.30 to \$14.20. The new fees take effect 30 days after publication, making September 9, 2011, the first day the new fee is in effect. The vanity call sign regulatory fee is payable not only when applying for a new vanity call sign, but also upon renewing a vanity call sign for a new term. The first vanity call sign licenses issued under the current Amateur Radio vanity call sign program that began in 1996 came up for renewal five years ago. The FCC is authorized by the *Communications Act of 1934, As Amended*, to collect vanity call sign fees to recover the costs associated with that program. Read more at: <http://www.arrl.org/news/vanity-call-sign-fee-to-go-up-in-september>.

From *The ARRL Letter*, August 11, 2011

NOTES ON CALENDAR (see last page)

Large Call letters denote birthdays e.g. **N2WLH** on September 7. All times are EDST. Contests are listed in the September QST, p. 81.

September 1 - **Holiday City ARC meeting** at 7 pm at Holiday City South Clubhouse in Toms River.

September 2 - **W1AW Qualifying Run** at 10 pm (10-35 wpm). See September QST, p. 92 or www.arrl.org/w1aw

Sept. 3-4 - **QCWA Fall QSO Party**, all modes from 2 pm Saturday to 2 pm Sunday. See www.qcwa.org/qso-party.htm

September 4 and every Sunday - **InfoAge Marconi Hotel** open from 1 to 5 pm on Marconi Road in Wall.

September 5 - **Monmouth County ARES Net** meets on 147.045 +600, PL=67.0 at 7:30 pm.

September 6 - **Middletown Pancake House Luncheon** at noon at left rear table. All are welcome.

September 6 - **Monmouth Amateur Radio Club meeting** at 7 pm in Union Beach Police Annex (Municipal Building) on Poole Avenue.

September 6 - **Old Barney ARC Meeting**, 7:30 pm at Ocean Acres Community Center in Manahawkin, NJ. See <http://www.obarc.org>

September 6 and every following Tuesday - **QCWA News Net** on 147.045 PL=67 at 9:00 pm.

September 7 - **GSARA Meeting** at 7:30 PM at the Red Cross, West Park Ave. & Shafto Road, Tinton Falls.

September 8 - **JSARS meeting** in Riverwood Park Recreation Building, Rt. 527 and Riverwood Drive in Toms River at 7:30 pm.

Sept. 9-11 - **Worked All Europe DX Contest**, Phone from 8 pm Friday to 8 pm Sunday. See waedc.de

September 10 - **OMARC Meeting**, 9:00 am at the Diana Site on Marconi Road, Wall, NJ. Guests are welcome.

Sept. 10-11 - ARRL September VHF QSO Party, all modes from 2 pm Saturday to 10:59 pm Sunday. See www.arrl.org/contests

September 10 - **North American Sprint, CW** from 8 pm to midnight. See www.arrl.org/contests

September 12 - **Monmouth County RACES Net** meets on 147.045 +600, PL=67.0 at 7:30 pm.

September 12 - **VE Test Session** at Croyden Hall, Leonardo section of Middletown at 7:00 pm. For more information, contact Mario Sellitti, N2PVP at 732-787-7184 or n2pvp@n2pvp.com

September 14 - **W1AW Qualifying Run** at 7 pm (10-40 wpm). See September QST, p. 92 or www.arrl.org/w1aw

September 14 - **Holiday City VE Session** at 7 pm in Toms River. Contact is Larry Puccio, K2QDY at 732-349-2950 or e-mail at lpuccio1@comcast.net

September 15 - **JSARS VE Test Session** at 7:30 pm Riverview Park Recreation Bldg., Rt. 527 and Riverwood Drive in Toms River. Contact Ed Genoino, WA2NDA at 609-971-2792 or wa2nda@comcast.net.

September 17 - **North American Sprint, Phone** from 8 pm to midnight. See www.arrl.org/contests

September 19 - **Monmouth County ARES Net** meets on 147.045 +600, PL=67.0 at 7:30 pm.

September 21 - **GSARA Meeting** at 7:30 pm at the Red Cross in Tinton Falls. Joe, W2KQ on Vietnam and Steve, N2WLH on fastening PL-259 connectors.

Sept. 23-25 - **CQ WW RTTY Contest** from 8 pm Friday to 8 pm Sunday. See www.cqwwrtty.com

September 24 - **Neptune Amateur Radio Club Meeting** at 9 am at the American Legion on Gully Road.

September 26 - **Monmouth County RACES Net** meets on 147.045 +600, PL=67.0 at 7:30 pm.

Sunday	Monday	Tuesday	Wednesday	Thursday	Friday	Saturday
				1 Hol. City Mtg.	2 CW Qual. Run	3 QCWA QSO Pty
4 QCWA QSO Pty InfoAge	5 Labor Day	6 Pancake House MARC Mtg 7 PM Old Barney ARC QCWA News 9 PM	7 N2WLH GSARA Mtg	8 JSARS Mtg.	9	10 OMARC Mtg VHF QSO Pty NA Sprint, CW
11 VHF QSO Pty InfoAge	12 RACES Net 7:30	13 Croyden VE 7 PM QCWA News 9 PM	14 CW Qual. Run Hol. City VE	15 JSARS VE	16	17 NA Sprint, SSB
18 InfoAge	19 ARES/RACES 7:30	20 QCWA News 9 PM	21 GSARA Mtg.	22	23 CQ WW RTTY	24 Neptune Mtg CQ WW RTTY
25 CQ WW RTTY InfoAge	26 RACES Net 7:30	27 KC2Q QCWA News 9 PM	28 KC2FDR	29	30 N2VFK	



G.S.A.R.A.
 8 DONNER STREET
 HOLMDEL, NJ 07733

FIRST CLASS