



# THE PROPAGATOR

Holmdel, NJ 07733  
Editor: Bob Buus, W2OD

**FEBRUARY 2013**

---

## UPCOMING GSARA MEETINGS

The next GSARA meeting will be held on **Wednesday, February 6 at 7:30 PM** at the Red Cross. This will be a regular business meeting. Guests are always welcome and refreshments will be served.

The second GSARA meeting for February will be held on **Wednesday, February 20 at 7:30 PM** at the Red Cross. This will feature Randy Gutentag, WA2RMZ talking about D-Star. Randy has a D-Star repeater in Martinsville which is reachable by many of our members. Don't miss it and bring a friend. Guests are always welcome and light refreshments will be served.

---

## POSTAGE RATES RISE

Beginning Sunday, January 27, it costs more to mail first class letters, postcards and packages within the US. The cost to mail a first class letter is now 46 cents, while the cost to mail a postcard is 33 cents, an increase of 1 cent for each; this is the third increase for postcard postage in less than two years. This month, the USPS will also introduce a First Class Mail Global Forever Stamp that will allow customers to mail 1-ounce letters anywhere in the world for one set price of \$1.10. The cost to mail flat-rate Priority Mail packages and letters will also increase. Click here for more information on all the postal increases.

*From The ARRL Letter, January 24, 2013*

---

## GSARA HOMEPAGE

<http://www.gardenstateara.org>

---

## HUDSON DIVISION HOME PAGE

<http://www.hudson.arrl.org>

## WELCOME NEW MEMBERS

Please welcome Jack Guire, KC2VZV to the GSARA. A Technician since 2011, Jack lives in Neptune and is active on 2 meters and 440. He is interested in Skywarn and RACES as well as Fire Department and Emergency dispatch. Please add to your roster:

**KC2VZV**, Jack Guire  
601 Memorial Drive  
Neptune, NJ 07753  
732-749-6635  
[srsautoplex@gmail.com](mailto:srsautoplex@gmail.com)

Please also welcome Chuck Mairowicz, KC2WZI from Brick to the GSARA. A Technician since 2011, Chuck is active on 2 meters with his Yaesu FT-2800 and is interested in learning Morse code. He is a mechanic and tow truck driver. Please add to your roster:

**KC2WZI**, Chuck Mairowicz  
47 Creek Road  
Brick, NJ 08724  
732-684-0676  
[broncoking04@yahoo.com](mailto:broncoking04@yahoo.com)

---

## VE TEST SESSION FEBRUARY 9

GSARA conducts a VE test session every month on the second Saturday at 11:00 am at the Red Cross. In February, the exam will be given on February 9. The fee is \$15 and you should bring the original and a copy of any amateur license presently held and the original and one copy of any credit (CSCE) forms that you have. Also bring 2 forms of ID with one being a photo ID. For more information, contact Steve, N2WLH at 732-255-7916 or [n2wlh@comcast.net](mailto:n2wlh@comcast.net).

## GSARA OFFICERS

President	W2XYZ	Frank Wroblewski	942-7705
Vice Pres.	W2HTS	Howard Suffill	460-1885
Secretary	W2OD	Bob Buus	946-8615
Treasurer	K2QXW	Bruce McLeod	946-4368
Engineer	N2LXM	Jeff Harshman	922-0816
Webmaster	KE2V	Vince Rosati	229-3283
Publicity	NJ2H	Bill Shockley	207-4466
Repeater	N2LXM	Jeff Harshman	922-0816
Trustees	W2KQ	Joe Dreifuss	493-4236
	W2OD	Bob Buus	946-8615
	W2HAM	Lou Russo	842-6431

## DX MEETING EACH LAST MONDAY

For those interested in DX or learning about how to chase DX, there is a meeting of DXers on the last Monday of each month at 7:30 PM at the Red Cross. The last Monday of February is on the 25<sup>th</sup> so mark your calendars if you would like to attend.

## BADGES AND PATCHES

If you would like a GSARA name badge, you may order one by getting a Badge Order Form from our Secretary, **Bob Buus, W2OD**, filling it out and turning it in to Bob with your \$7.00 payment.

We also now have patches available at all meetings and they cost \$3.

## OUTGOING QSL CARDS

If any GSARA members wish to combine their QSL cards that are going through the outgoing ARRL Bureau, please bring them to the next GSARA meeting along with the label from a recent QST Magazine (you must be an ARRL member to participate in this program). We then send them as a group at no charge to GSARA members. It couldn't be much easier than that to QSL. You are registered at the W2 incoming bureau, aren't you?

## PROPAGATOR NOW ON THE WEB

The *Propagator* is available as a PDF file at:

<http://www.gardenstateara.org>

Click on "The Propagator" and then select the month you want.

## EDITOR'S NOTES

Don't miss the D-Star presentation on the February 20 meeting. Randy has lots of experience with D-Star and will tell us all about it and what it can do. Don't miss it!

Please welcome the two latest members of GSARA, Jack, KC2VZV and Chuck, KC2WZI (see page 1). Almost two-thirds of the current members have paid their 2013 dues but some of you still have to pay up or be dropped from our membership. If you haven't yet paid, send your payment to Bruce, K2QXW (see page 9).

For those curious as to how GSARA was formed, see the article on page 5. I found the original article when reviewing the 25 year old *Propagator* for February 1988 and thought it would be of interest to members who do not have access to this old newsletter. By the way, John, KA2F has found some interesting Red Bank Register articles from 1947 covering Field Day and the 1947 Convention. Lack of space keeps them out of this edition of the *Propagator* but I hope to run them next month.

Who says amateur radio is dying? The record numbers attained in 2012 (see page 7) show quite the opposite.

The March 9 program will be the showing of "Empire of the Air". Since this video is an hour and 50 minutes long and we don't want the meeting to last past 9 pm, we will start the meeting at 7 instead of 7:30. I hope many of you can make it as this is a very interesting story.

If you are interested in obtaining a [gardenstateara.org](mailto:gardenstateara.org) email address which will give you webmail and POP3/SMTP access, please send an email to Josh at [kc2tkk@gardenstateara.org](mailto:kc2tkk@gardenstateara.org) with your First Name, Last Name, and Call Sign. Your email address [call\\_sign@gardenstateara.org](mailto:call_sign@gardenstateara.org) will be created and the login information sent back to the email address your request came from.

As always, I appreciate feedback or material for *The Propagator*. The deadline for the March issue is February 15.

73 de Bob, w2od@arrl.net

## MINUTES OF JANUARY 2 MEETING

By Bob Buus, W2OD, Secretary

President Frank Wroblewski, W2XYZ called the meeting to order 7:32 PM at the Red Cross. There were 15 members and one guest present. The guest was Hunter Suffill, harmonic of Howard, W2HTS. After the pledge to the flag, all present introduced themselves.

### New Members

An application for membership, with \$5 overpayment of 2013 dues, was received from Mike Hemeon, K1MH of Tinton Falls. Mike has been licensed since 1979 and currently holds an Extra class license. He is active on 144, 220, 440 and, to a limited extent, HF. He operates FM, SSB, and CW. Other interests include fitness, finance, beach, and travel. He retired as Director of Network Operations for NBC-Universal. By unanimous vote, Mike was voted into GSARA.

An application was also received from Hunter Suffill, son of Howard, W2HTS. Hunter is a student who is not yet licensed but he has operated his father's rig to check into 2-meter nets. By unanimous vote, Hunter was voted into the GSARA.

### Secretary Report

A letter was received from Paul Roman, EMS Coordinator of Monmouth County thanking GSARA for providing communication for the Twin Lights Bike Tour. He included a \$200 donation in appreciation of our services.

### Announcements

GSARA will hold their first 2013 monthly VE test session on Saturday, January 12 at 11 AM at the Red Cross.

Cousin Brucie on Sirius Radio is asking for QSL cards.

### Program

Frank, W2XYZ gave a very informative presentation about Echolink. This uses VOIP technology on the internet to extend the range of our VHF/UHF repeaters. He encourages us all to try this free amateur radio service and see still another aspect of our hobby.

### Close

The door prize of \$11 was won by Hunter Suffill. There being no further business, a motion was made by Jeff, N2LXM to adjourn. With unanimous vote, the meeting was adjourned at 8:47 pm.

---

## MINUTES OF JANUARY 16 MEETING

By Bob Buus, W2OD, Secretary

President Frank Wroblewski, W2XYZ called the meeting to order at 7:34 PM at the Red Cross. There were 18 members present. After the pledge to the flag, all present introduced themselves.

### Health and Welfare

Treasurer Bruce, K2QXW read a note from Lorraine, KC2FDR who renewed her membership and hoped to get to future meetings.

### Public Service

Tom, N2VFK reported that nothing is scheduled until the MS Bike Tour in May and the Sheehan run in June.

### Secretary's Report

A motion was made by Jeff, N2LXM and seconded by Ted, N2KPS to accept the secretary's report from the last meeting as will be published in the February Propagator. The motion passed unanimously.

### Treasurer's Report

Treasurer Bruce, K2QXW presented the Treasurer's report. A motion was made and seconded to accept the report and it was approved unanimously.

### Old Business

Jeff, N2LXM reported that we are looking for a replacement board for the repeater. The cleaned-up old board seems to be operating satisfactorily at this time.

A motion was made by Jeff, N2LXM and seconded by Ted, N2KPS to make Frank Gspann, WB2ABT an honorary member of GSARA. The motion passed unanimously.

A motion was made by Tom, N2VFK and seconded by Marty, N2BMK to change Article I, Section II, paragraph G, first sentence to read: G. Family Member. All interested persons in a family sharing a common household may become

members by a single annual dues payment of five dollars (\$5) more than the individual annual dues. The motion passes by unanimous vote.

The VE session held on January 12 was a success with 5 candidates successfully passing exams. One current Technician advanced to Extra Class, another advanced to General. Of the 3 unlicensed candidates, one advanced to General and two became Technicians. The next session will be on February 9.

#### New Business

It was suggested that we plan a club kit-building project. Jeff, N2LXM will look into pricing 20 sets of parts for an offset attenuator for fox hunting. Joe, W2KQ suggested a simpler kit for the polarity checker in a recent QST.

Frank, W2XYZ brought up having Ham Class 101 to introduce new hams to amateur radio fundamentals. A suggested topic was repeater etiquette. Perhaps these topics could be covered in the radio room on Saturday afternoons.

John, KA2F has gone over many of the QSL cards received by GSARA over the years. He is making a collection of member's and past member's cards. John would like current members to be sure that John has their QSL card.

Jeff, N2LXM is again going to try to get permission to run a Special Event station from Twin Lights next fall. John, KA2F offered to put in a good word to Tom Lafferty to help the process go more smoothly.

Bob, W2OD offered to show the "Empire of the Air" video at our March 6 meeting. Since it is an hour and 50 minutes long, it was suggested that the March 6 meeting start at 7 pm instead of 7:30. All present agreed to that.

#### Announcements

Jeff, N2LXM is running a one-day Technician class on Saturday, February 2 starting at 8 am and culminating in an exam session around 3 pm. This will be at the Red Cross and 35 to 40 people have signed up so far.

Bob, W2OD tried airing one of the Phil Petersen, W2DME radio spots on the QCWA Tuesday night net and it went over very well. He will continue to include a spot at all future sessions.

The program for our February 20 meeting will be Randy Gutentag, WA2RMZ from KJI Electronics talking about D-star. February 6 will be a regular business meeting.

#### Close

The door prize of \$16 was won by Matt, W2AOJ. The second prize of a GSARA cap was won by Hunter Suffill. There being no further business, a motion was made by Jeff, N2LXM and seconded by Marty, N2BMK to adjourn. With unanimous vote, the meeting was adjourned at 8:50 pm.

---

### **ICELAND AMATEURS GET MF BAND**

According to the Íslenskir Radióamatörar (ÍRA) -- Iceland's IARU Member-Society -- radio amateurs in Iceland now have operating privileges on 472-479 kHz, or 630 meters, as of January 16. Amateurs in Germany, Sweden, the Netherlands, New Zealand and Monaco already have operating privileges in this portion of the MF spectrum. Delegates at the 2012 World Radiocommunication Conference approved this method of addressing Agenda Item 1.23, as the Conference considered a possible allocation of approximately 15 kilohertz between 415 and 526.5 kHz. After discussions and taking into account spectrum conflicts with the Maritime Mobile Service, delegates ultimately decided to allocate 472-479 kHz to the Amateur Radio Service on a secondary basis. Read more here.

From *The ARRL Letter*, January 24, 2013

---

### **FT-817 SATELLITE KIT AVAILABLE**

The satellite computer-aided tuning interface described in the October 2012 issue of QST (pages 40-43) for use with SatPC32 software and the Yaesu FT-817 transceiver is now available for purchase from the ARRL Education & Technology Program (ETP). The interface was created by Mark Spencer, WA8SME, as part of resource development for the ARRL ETP. You can order the board and the programmed PIC at a cost of \$20; the complete kit is priced at \$35. Earnings from the sales of these kits will be used to cover development costs, plus a donation to AMSAT. Read more here.

From *The ARRL Letter*, January 10, 2013

## THE BEGINNINGS OF THE GSARA

By Phil Petersen, W2DME – SK  
President GSARA - 1953

*(Reprinted from the February, 1988 Propagator)*

Did you ever wonder how the Garden State Amateur Radio Association got its name and why W2GSA became our club call? Well, this is the story.

Before World War II, there was the Jersey Shore Amateur Radio Association, which was organized in 1932 at Charlie Rogers', W2AIW home in Manasquan, NJ and one of the members was Bob Morris, W2GSA of Davis Avenue in Point Pleasant, NJ. Bob Morris subsequently became a Navy aviator and officer who gave his life during WWII.

When the war started, radio amateurs by the hundreds at first, and then by the thousands, came to Fort Monmouth offering their unique talents in the war effort. When the war was over in 1945, many hams stayed in the Jersey Shore area and some of us organized another amateur radio club, called the Monmouth County Amateur Radio Association. We met for a few years in the Vail Homes Auditorium in Shrewsbury, NJ. There was a friendly rivalry between the older Jersey Shore Amateur Radio Association and our newer Monmouth County Amateur Radio Association, particularly on DX Contest and Field Day events.

During this time, the Monmouth County Amateur Radio Association held a small Hamfest in the Vail Homes Auditorium and everybody who attended received a genuine quartz crystal prize. Some also received new or slightly used war surplus communication equipment.

In the following year, 1947, the members of both clubs thought that we could put on a bigger and much more comprehensive Hamfest or perhaps the first ARRL Post War Hudson Division Convention.

The two clubs joined hands to work together and held the 1947 Hudson Division Convention for three days in the Asbury Park Convention Hall and the grand Berkeley Carteret Hotel. The main floor and surrounding rooms of convention Hall were fully occupied with booths for dealers, equipment, and special technical displays. Other rooms in the Hall and the Berkeley Carteret had

several technical sessions and forums going on simultaneously. There were special ladies programs such as fashion shows, dance exhibitions, and tours to local sites of interest.

A prize was presented to the radio amateur who designed and demonstrated the performance of the most unique homebrew mobile rig. Another prize was given to the winner of the two-meter hidden transmitter hunt. The transmitter was hidden under fifty pounds of freshly iced fish in a retail fish store five miles away at the Collingswood Circle and it was found within thirty minutes!

The main door prize was a complete Amateur Radio station consisting of a Temco Transmitter, Collins Receiver, Vibroplex bug, D-104 mike and a rotating beam antenna.

We hired one of the big dance bands at the time, Billy Butterfield and his twenty-piece orchestra, with vocalist Patty O-Conner and danced the night away in the grand ballroom of the Berkeley Carteret.

The banquet was held on Sunday afternoon in the Crystal Terrace room of the hotel with the following dignitaries on the dais:

ARRL and IRE President, George Bailey, W2KH  
FCC Commissioner, E. K. Jett  
FCC Commissioner George Sterling, W1AE  
ARRL Secretary, K. B. Warner, W1EH  
Hudson Division Director J. Johnston, W2SOX  
Brig. General F. H. Lanahan, U.S. Army, Fort Monmouth

These men spoke about the many contributions the radio amateurs have made over the years in radio communication and, more recently, of the big advances accomplished in WWII. The convention came to a close with a very optimistic outlook for the future of amateur radio.

Both clubs had worked together so well that we thought we could be more effective if we combined into one amateur radio association. It took several years after the 1947 convention to bring this about, largely because neither club felt like giving up the name of their club for the other. Many suggestions were offered for a totally new name and rejected until someone on the Constitution Committee thought of using the call

of Bob Morris, W2GSA as a club memorial to him and using Garden State Amateur for GSA and adding Radio Association since both clubs were already called radio association.

This plan was found acceptable by the membership of both clubs. In a combined meeting of both clubs on May 10, 1950, the members voted to join together as the Garden State Amateur Radio Association with the call W2GSA.

The first big job facing the new club was to win Field Day honors. The large reservoir of operators and equipment now available made it possible to send an impressive expedition into the field. Operating 8 stations for the 1950 Field Day, W2GSA/2 scored 12,507 points, the highest for the second district and third highest overall. This was quickly followed by the 1950 Hudson Division Convention held on September 30 and October 1 at the same place as the 1947 Convention in Asbury Park.

## COMBINING POWER AMPLIFIERS

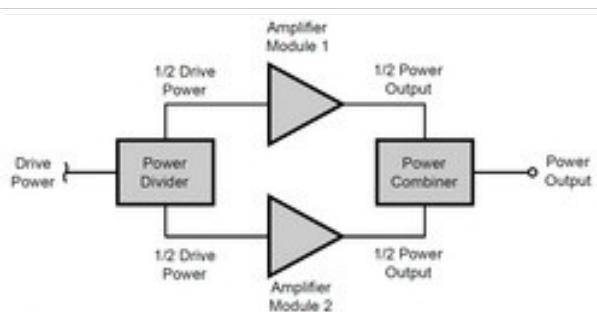
Carl Hasbargen, KN0WS, of St Paul, Minnesota, wrote to the ARRL's Doctor, wanting to know how to use more transmit power for the new Earth-Moon-Earth (EME) station that he plans to build later this year. In the past, he has used a portable generator to power a 180 W, 432 MHz linear amplifier into a quad Yagi antenna system. While Hasbargen was successful using that setup to make a contact via the Moon, he figures additional transmit power would be helpful. He told the Doctor that he would like to be able to use his current generator.

Hasbargen asked "If I have two identical model solid state linear amplifiers, each capable of amplifying a 25 W input into a 180 W output, can I simply take the 50 W from my transceiver, divide the power using a commercial antenna power divider to drive each linear amplifier, then combine the two 180 W outputs from the pair of amplifiers back through another power divider (used backwards as a coupler) to produce a final 360 W to the antenna?"

Here's what the Doctor had to say:

If you pull off the covers of many high power solid state amplifiers, you will see that is exactly how they are constructed internally (see photo).

While it seems like a straightforward idea, the main issue, especially at EME frequencies, is relative phase delay. While a single dual-module amplifier is relatively easy to build and test as an



Architecture of a high power amplifier composed of two separate medium power modules. To work properly, the phase delays through both channels must be close to identical.

integrated system, your separate amplifiers were not built with that in mind. At 70 centimeters, a wavelength is 70 centimeters long, but 1/10 of a wavelength is only 7 centimeters, or 2 inches in coax.

I would think you would want tolerances to accumulate to well less than that for reasonable operation, and with independent assembly and device selection (not selected as matched components) and alignment, I would be surprised if two randomly selected amplifiers would be that close. If you have the capability to phase match them, the difference, if any, could be accommodated in a short length of coax, preferably on the input side.

If the amplifiers are linear and can amplify at very low levels, it would be safe...to drive them with an input splitter and measure the power at each output. If they are the same and you put them in a combiner and the level is twice each, less the attenuation of the combiner, you are probably good to go. I would bring up the power slowly and watch for heating and other undesired effects.

Of course, in real life, each of the power divider/combiners will introduce a little loss, so don't expect the full 360 W but it should be close.

From *The ARRL Letter*, January 24, 2013

## ALL TIME HIGH FOR HAM LICENSES

As 2012 came to a close, ARRL VEC Manager Maria Somma, AB1FM, had a good reason to

cheer: The number of radio amateurs in the US reached an all-time high of almost 710,000. "2012 was definitely a banner year for the number of Amateur Radio operators here in the US," she said. "It is amazing to see these new numbers and to know that Amateur Radio is experiencing such a healthy trend."

COMPARE AMATEURS PER FCC CALL SIGN REGION		
CALL SIGN REGION	2008	2012
1	33,000	35,000
2	39,000	42,000
3	34,000	36,500
4	130,000	140,000
5	80,000	86,000
6	93,000	100,000
7	88,000	93,500
8	53,000	57,000
9	44,500	47,500
0	56,000	60,000
KL7 - Alaska	3,100	3,500
KP4 - Caribbean	4,200	4,000
KH6 - Pacific	4,200	4,500
<b>Total US Amateurs</b>	<b>662,000</b>	<b>709,500</b>

This chart shows the distribution of license holders by call sign region, comparing 2008 to 2012. The number of US licensees has increased by 7 percent since 2008.

In looking at new and upgraded licenses, as well as licensees per ARRL Division, Somma also crunched the numbers looking for growth within each license class -- and all of Amateur Radio -- over the last 40 years. "This is an all-time high for Technician, General and Amateur Extra class licensees," she said. "When looking at the three current license classes, the number of Technicians, Generals and Amateur Extras peaked in December at 345,369, 163,370 and 130,736, respectively."

Somma explained that the total number of US amateurs in the FCC database also continues to grow each year: "As of December 31, 2012, the number of licensees reached an all-time high of 709,575; year-end totals were 702,056 for 2011 and 696,041 for 2010. The number of licensees increased at an average rate of 21 per day, while the number of US licensees has increased by 7 percent since 2008!" More than 3000 new licenses were issued in 2012 than in 2011, while

upgraded license activity remained steady in 2012. Read more here.

From *The ARRL Letter*, January 17, 2013

## NYC HAM CAN KEEP TOWER

In September 2010, Paul Isaacs, W2JGQ, of New York City, obtained a building permit for his Amateur Radio antenna support structure, comprised of a 40 foot tower topped by a Yagi antenna. Isaacs installed his antenna system on the roof of his four story brownstone -- 58 feet above ground -- in lower Manhattan.

Almost four months after the erection of the system, the New York City Department of Buildings (DOB) declared its intention to revoke Isaacs' properly attained building permit, claiming that his Amateur Radio antenna system was not, in the Department's opinion, "an accessory use." Isaacs appealed the decision through the Department's bureaucracy, and when that didn't reverse the decision, he had a series of hearings before the New York City Board of Standards and Appeals.

In November 2012, the Board ruled that though perhaps uncommon, an Amateur Radio antenna system is indeed an accessory use under New York City's zoning ordinance and the building permit was properly granted. "The Board agrees with DCP [Department of City Planning] that the size of a use can be relevant to whether it is 'incidental to' and 'customarily found in connection with' a principal use," the Board wrote in its decision. "However, it finds that in the case of Amateur Radio towers, unlike cellular [towers] and certain other uses, there is no articulated standard to guide DOB in determining at what height a particular radio tower becomes a non-accessory."

The full decision may be found here under "Application of Paul K. Isaacs." Isaacs was represented by attorneys Fred Hopengarten, K1VR, Stuart Klein and Chris Slowik.

From *The ARRL Letter*, January 10, 2013

As I have grown older, I've learned that pleasing everyone is impossible, but pissing everyone off is a piece of cake.

## **DXCC APPROVES TWO LAOTIAN OPS.**

ARRL DXCC Manager Bill Moore, NC1L, reports that the 2010-2011 XWPA operation and the current XW4XR operation in Laos have been approved for DXCC credit. "Once updated, results will appear in Logbook of The World (LoTW) accounts, as well as online in the daily listings."

From *The ARRL Letter*, January 24, 2013

---

## **TEN YEARS AGO**

From the February 2003 Propagator: Initial testing has begun with ARRL's Logbook of the World. Beta testing is expected to start soon. Due to enhanced security at Ft. Monmouth, the meeting place has been changed back to Bicentennial Hall in Fair Haven. Because so many have been coming to the meetings late, the meeting time was changed from 7:30 pm to 8 pm.

---

## **FIFTEEN YEARS AGO**

From the February 1998 Propagator: Jeff, N2LXM and Mike, KC2Q were starting a 12-week amateur radio class on Monday, February 23 at Ft. Monmouth. The Propagator was late because Bob, W2OD was in London for the last week in January. He was an expert witness in the Royal Courts of England for an international patent infringement suit. GSARA voted to drop out of the Hamfest consortium. New members to GSARA included Art Goldberg, KC2CRI and Steve Wolkovitz, N1HKC (now W2DAD). Rules were published for the GSARA monthly DX award to be administered by Mike, KC2Q.

---

## **TWENTY YEARS AGO**

From the February 1993 Propagator: Much of the issue was dedicated to the big storm of

---

December 11-13, 1992. Articles were written by Charlie Gspann, W2ZEE (SK), Roy Edwards, KB12LUO, (now KB2RE) and Joe Dreifuss, WA2GSY (now W2KQ) about their responses to the storm. This storm flooded the shore area and downed many trees and power lines in Monmouth County. Both Asbury Park and Middletown repeaters were used throughout the storm. Shelters were opened with amateurs providing both voice and packet communication. The Bangor, PA repeater cooperated by shutting down during the emergency. The Monmouth County OEM presented certificates to the following who participated in the December storm: Jim Gardner, K5BIG, Dom Cairo, KB2CMF (now N2DOM), Ed Kraus, WB2COP (SK), John Golembeski, K2EOB, John King, KA2F, Gina Palazzo, N2FRP, Bob Ewing, WA4GWG, Dave Worrall, N2IRO (now WD2DW), Elena Worrall, N2ITL, Jeff Harshman, N2LXM, Ray Wallace, KB2NZO, Bernie Sorkin, NR2O, Alan Palm, N2OJR, Marv Bernstein, W2PAT, Jim Pope, WB2QMP, Bruce McLeod, K2QXW, Ken Hampton, KY2S, Dave Kennedy, N2TFP (SK), and John Breza, WR2Z (SK).

---

## **TWENTY-FIVE YEARS AGO**

From the February 1988 Propagator: Special "200" call signs were authorized by the FCC to commemorate the 200<sup>th</sup> anniversary of the signing of the Constitution. W200GSA was active between Dec. 19-25, 1987 and a total of 1143 contacts were made by various members. Treasurer Clarence Kastner, KA2OZA (SK) gave the annual treasurer's report. Our balance for the year dropped from \$1389 at the beginning to \$1242 at the end. Phil Petersen, W2DME wrote an article about the beginnings of the GSARA (reprinted elsewhere in this issue).

---

## **NOTES ON CALENDAR (see next page)**

Large Call letters denote birthdays e.g. N2ZZP on February 5. All times are EST. Contests are listed in the February QST, p. 90

February 2 – **North American Sprint**, CW from 7 pm to 11 pm. See <http://www.ncjweb.com>

February 3 and every Sunday – **InfoAge Marconi Hotel** open from 1 to 5 pm on Marconi Road in Wall.

February 4- **Monmouth County ARES Net** meets on 147.045 +600, PL=67.0 at 7:30 pm.

February 5 and every following Tuesday – **QCWA News Net** on 147.045 PL=67 at 9:00 pm.



February 6 - **W1AW Qualifying Run** at 7 pm (10-35 wpm). See [www.arrl.org/qualifying-run-schedule](http://www.arrl.org/qualifying-run-schedule)

February 6 – **GSARA Meeting** at 7:30 at the Red Cross. Regular business meeting.

February 7 - **Holiday City ARC meeting** at 7 pm at Holiday City South Clubhouse in Toms River.

Feb. 8-10 – **CQ WW RTTY WPX** from 7 pm Friday to 7 pm Sunday. See <http://www.cqwxrtty.com>

February 9 – **OMARC Meeting**, 9:00 am at the Diana Site on Marconi Road, Wall, NJ. Guests are welcome.

February 9 – **GSARA VE Test Session** at 11 am at Red Cross in Tinton Falls. Contact Frank Wroblewski, W2XYZ at 732-942-7705 or e-mail at [w2xyz@arrl.net](mailto:w2xyz@arrl.net)

Feb. 11-15 – **School Club Roundup**, all modes from 8 am Monday to 6:59 pm Friday. See <http://www.arrl.org/school-club-roundup>

February 11 - **Monmouth County RACES Net** meets on 147.045 +600, PL=67.0 at 7:30 pm.

February 12 – **VE Test Session** at Croyden Hall, Leonardo section of Middletown at 7:00 pm. For more information, contact Mario Sellitti, N2PVP at 732-787-7184 or [n2pvp@n2pvp.com](mailto:n2pvp@n2pvp.com)

February 13 – **Holiday City VE Session** at 7 pm in Toms River. Contact is Larry Puccio, K2QDY at 732-349-2950 or e-mail at [lpuccio1@comcast.net](mailto:lpuccio1@comcast.net)

February 14 – **JSARS meeting** in Riverwood Park Rec. Building, Rt. 527 and Riverwood Drive at 7:30 pm.

Feb. 15-17 – **ARRL Int'l CW DX Contest** from 7 pm Friday to 7 pm Sunday. See <http://www.arrl.org/contests>

February 18 - **Monmouth County ARES Net** meets on 147.045 +600, PL=67.0 at 7:30 pm

February 20 – **GSARA Meeting** at 7:30 pm at the Red Cross in Tinton Falls. Program about D-Star.

February 21 – **W1AW Qualifying Run** at 4 pm (10-35 wpm). See <http://www.arrl.org/qualifying-run-schedule>

February 21 – **JSARS VE Test Session** at 7:30 pm Riverview Park Recreation Bldg., Rt. 527 and Riverwood Drive in Toms River. Contact Ed Genoino, WA2NDA at 609-971-2792 or [wa2nda@comcast.net](mailto:wa2nda@comcast.net).

Feb. 22-24 – **CQ WW 160 Meter SSB** from 5 pm Friday to 5 pm Sunday. See <http://www.cq160.com>

Feb. 23-24 – **North American QSO Party-RTTY** from 1 pm Saturday to 1 am Sunday. See <http://www.ncjweb.com>

February 25 - **Monmouth County RACES Net** meets on 147.045 +600, PL=67.0 at 7:30 pm.

February 25 – **GSARA DX Interest Group** at 7:30 pm at the Red Cross.

### 2013 DUES ARE PAST DUE!

If you have not yet paid your dues for 2013 (see mailing label on last page), now is the time to do it. Please pay our treasurer **Bruce McLeod, K2QXW**. Regular membership is \$15, family membership is \$20, students are \$7.50 and active Military personnel pay no fee (but submit form to show continued interest in belonging). If you want a paper copy of *The Propagator* mailed to you, add \$5 and check this box: ☀

NAME \_\_\_\_\_ CALL \_\_\_\_\_

wishes to continue membership in GSARA for 2013. Payment of \$ \_\_\_\_\_ is enclosed.

Make checks payable to GSARA and mail or give to:  
**Bruce McLeod, K2QXW**  
**42 Freesia Court**  
**Holmdel, NJ 07733-2908**

Sunday	Monday	Tuesday	Wednesday	Thursday	Friday	Saturday
					1	2 N. Amer. Sprint
3 InfoAge	4	5 N2ZZP QCWA News 9 PM	6 CW Qual. Run GSARA Mtg.	7 Hol. City Mtg.	8 CQ WW RTTY	9 OMARC Mtg GSARA VE CQ WW RTTY
10 CQ WW RTTY InfoAge	11 School Rndup ARES/RACES 7:30	12 School Rndup Croyden VE 7 PM QCWA News 9 PM	13 School Rndup Hol. City VE	14 School Rndup JSARS Mtg.	15 School Rndup ARRL CW DX	16 ARRL CW DX
17 ARRL CW DX InfoAge	18 RACES Net 7:30	19 QCWA News 9 PM	20 GSARA Mtg.	21 CW Qual. Run JSARS VE	22 CQ WW 160	23 CQ WW 160 NA QSO RTTY
24 NA QSO RTTY CQ WW 160 InfoAge	25 KC2HGY ARES/RACES 7:30 DX Meeting 7:30	26 QCWA News 9 PM	27	28 KC2WZI		



G.S.A.R.A.

8 DONNER STREET

HOLMDEL, NJ 07733

FIRST CLASS