



THE PROPAGATOR

6 Donner St.
Holmdel, NJ 07733
Editor: Bob Buus, W2OD

AUGUST 2011

UPCOMING GSARA MEETINGS

The next regular meeting of the GSARA will be held on **Wednesday, August 3 at 7:30 PM** at the **American Red Cross** in Tinton Falls. This will be a regular business meeting. Guests are welcome and refreshments will be served. Please try to attend.

The second meeting in August will be held on **Wednesday, August 17 at 7:30 PM** at the Red Cross. This meeting will feature ARRL Hudson Division Vice Director Bill Hudzik, W2UDT bringing us up to date of the latest ARRL activities and operation of the "2" QSL Bureau. Guests are welcome and refreshments will be served.

W2GSA STATION OPEN SATURDAYS

The GSARA radio room at the Red Cross will be open Saturday afternoons for those wishing to operate or just "hang out". Go around the building to the back door for entrance. If you want to check to be sure that someone is there, call 732-493-9100 ext. 1252 which is the phone in the radio room.

PUBLIC SERVICE EVENTS

The Juvenile Diabetes Walk will be on Sunday morning, October 9 on the boardwalk in Avon and Bradley Beach.

The Red Bank Area CROP Walk takes place on Sunday, October 16. Registration begins at 12:30 and the walk begins at 1:30 PM.

If you can volunteer to help out with either or both of these events, please contact Tom Cosgrove, N2VFK at 732-842-6020 or n2vfk@verizon.net

GSARA HOMEPAGE

<http://www.gardenstateara.org>

WELCOME NEW MEMBERS TO GSARA

Please welcome Jeff Lambert, KC2ZDK to GSARA. He is a computer Tech and has been licensed since 2009. Jeff presently holds a General class license and is active chasing DX on HF as well as chatting on 2 meters and 70 cm. Besides ham radio, he likes hiking and boating. Please add to your Roster:

KC2ZDK, Jeff Lambert
103 Briar Mills Dr.
Brick, NJ 08724
732-539-9243
kc2zdk@gmail.com

Please also welcome Alan Sherman, W2NIR to GSARA. He is a retired Operations Research Analyst and has been licensed since 1952. Alan presently holds a General class license and is active on 20, 17, and 10 meters as well as chatting on 2 meters. An ARRL member, besides ham radio, he likes photography, race walking and TV. Please add to your Roster:

W2NIR, Alan Sherman
12 Garden Terrace
West Long Branch, NJ 07764
732-229-4793
ahs4jks@comcast.net

GSARA HAMFEST SEPTEMBER 10

The ARRL has approved our application for a ham fest to be held on Saturday, September 10 at the Monmouth Adult Education Community (MAECOM) in Tinton Falls (same location as our May 7 Hamfest). Admission will be \$5 per carload for buyers and \$15 for the first seller table and \$10 per table for subsequent ones. There will be VE exams and food will be available for sale.

HUDSON DIVISION HOME PAGE

<http://www.hudson.arrl.org>

GSARA OFFICERS

President	W2XYZ	Frank Wroblewski	942-7705
Vice Pres.	W2HTS	Howard Suffill	460-1885
Secretary	W2OD	Bob Buus	946-8615
Treasurer	W2KQ	Joe Dreifuss	493-4236
Engineer	N2LXM	Jeff Harshman	922-0816
Webmaster	KC2TKK	Josh Gluck	
Publicity	NJ2H	Bill Shockley	207-4466
Trustees	KG2NV	Don Pingitore	229-2925
	W2OD	Bob Buus	946-8615
	W2HAM	Lou Russo	842-6431

PROPAGATOR AVAILABLE BY E-MAIL

Would you like to help the finances of GSARA and at the same time get your issue of *The Propagator* a few days earlier? You can get every issue e-mailed to your computer every month by simply giving your e-mail address to Josh Gluck, KC2TKK and request *The Propagator* electronically. Josh's e-mail address is <kc2tkk@gardenatateara.org>.

BADGES AND PATCHES

If you would like a GSARA name badge, you may order one by getting a Badge Order Form from our Secretary, **Bob Buus, W2OD**, filling it out and turning it in to Bob with your \$7.00 payment.

We also now have patches available at all meetings and they cost \$3.

OUTGOING QSL CARDS

If any GSARA members wish to combine their QSL cards that are going through the outgoing ARRL Bureau, please bring them to the next GSARA meeting along with the label from a recent QST Magazine (you must be an ARRL member to participate in this program). We then send them as a group at no charge to GSARA members. It couldn't be much easier than that to QSL. You are registered at the W2 incoming bureau, aren't you?

PROPAGATOR NOW ON THE WEB

The *Propagator* is available as a PDF file at:

<http://www.gardenstateara.org>

Click on "The Propagator" and then select the month you want.

EDITOR'S NOTES

I'm looking forward to hearing what our Hudson Division Vice Director, Bill Hudzik, W2UDT has to say at our August 17 meeting. Bill has visited us before (when he was Section Manager for NNJ) and he always gives an interesting talk. Also, this will be an excellent opportunity to feed back to the ARRL any concerns you might have. Let's have a good turnout for this meeting!

Progress is being made on our tower-trailer (see page 6) thanks to the efforts of Ralph, KC2YNL; Ted, N2KPC and Frank, W2XYZ. Once painted, it will be ready to use! I envision a tri-band beam on the top of it and W2GSA working lots of DX in the upcoming solar cycle.

Remember that the GSARA radio room at the Red Cross is open almost every Saturday afternoon (see page 1). If you don't have an HF station at home, this is an opportunity to get some operating time on the HF bands. Of course, eyeball QSOs are allowed too. Contrary to rumors, you are NOT required to work on the trailer-tower if you show up.

Plan now for the GSARA Hamfest coming up on Saturday, September 10 at the usual location (see page 1). See Joe, W2KQ if you can help out but in any case, plan to attend. We need more people attending to attract the larger vendors such as KJI.

The response to Puzzle #9 was the best so far with 5 people reporting the correct solution. I went back to a circuit problem this time (see page 6) that I hope a lot of you can solve.

If you are interested in obtaining a gardenstateara.org email address which will give you webmail and POP3/SMTP access, please send an email to Josh at kc2tkk@gardenstateara.org with your First Name, Last Name, and Call Sign. Your email address call_sign@gardenstateara.org will be created and the login information sent back to the email address your request came from.

Remember if you change your e-mail address; please be sure to inform Josh Gluck, KC2TKK.

As always, I appreciate feedback or material for *The Propagator*. The deadline for the September issue is August 15.

73 de Bob, w2od@arrl.net

MINUTES OF JULY 6 MEETING

By Bob Buus, W2OD, Secretary

President Frank Wroblewski, W2XYZ called the meeting to order at the Red Cross at 7:39 PM. There were 10 members present. After the pledge to the flag, all members introduced themselves.

Health and Welfare

Tony, KA2ZSI is recovering from bronchitis and was not present at the meeting. Laura, N2HGI is leaving for a trip to Colorado so was not at the meeting.

Secretary's Report

A motion was made by Jeff, N2LXM and seconded by Joe, W2KQ to accept the minutes of the June meetings as published in the July Propagator. The motion was accepted unanimously.

Correspondence

A letter was received from the New Jersey Legalized Games of Chance Control Commission stating that they need more information about GSARA and \$100 application fee. Specifically, they want a copy of our articles of incorporation and a copy of our by-laws reflecting "the organizations purposes, requirements for membership, duration of the organization, provisions established for the distribution of its assets in the event of the dissolution of the organization." After reviewing our Constitution and By-laws, the members felt that all but the last item were covered.

A motion was made by Jeff, N2LXM to add a new Section VII to the By-laws that states:

In the event of dissolution of the Garden State Amateur Radio Association, all assets remaining after all debts are satisfied shall be donated to the American Red Cross.

The motion was seconded by Joe, W2KQ and accepted unanimously. This change will be published in the August Propagator and voted upon at the August 3, 2011 meeting.

Treasurer's Report

Treasurer Joe, W2KQ presented the treasurer's report. A motion was made by Jeff, N2LXM and seconded by Ralph, KC2YNL to accept the report. It was accepted unanimously.

Old Business

GSARA is planning on running a one-day Technician class at the Red Cross on Saturday, July 23.

Members who are ARRL members can send their outgoing QSL cards through Jeff, N2LXM.

Hamfest

The GSARA Hamfest is coming on Saturday, September 10. Bill, NJ2H is designing a flyer. We expect a mailer to go out to all of the local amateur radio clubs.

Ways were discussed to obtain the names and addresses of attendees to the Hamfest for subsequent mailings.

Announcements

Jeff, N2LXM will be operating K2USA on July 4

International Lighthouse weekend is August 21-22. OMARC plans to operate at Sandy Hook. The Neptune ARC plans to be at Sea Girt on Saturday only. Jeff, N2LXM plans to operate from Twin Lights this year. He thought perhaps GSARA might plan to operate from there next year.

Closing

There being no further business, a motion was made by Joe, W2KQ and seconded by Jeff, N2LXM to close the meeting. The motion was accepted unanimously and the meeting adjourned at 8:48 PM.

MINUTES OF JULY 20 MEETING

By Bob Buus, W2OD, Secretary

President Frank, W2XYZ brought the meeting to order at 7:34 with 14 members present and two visitors. The visitors were Jeff Lambert, KC2ZDK from Brick and Alan Sherman, W2NIR from West Long Branch (both of whom subsequently joined GSARA). After the pledge to the flag, all present introduced themselves.

Old Business

Work is progressing on the trailer-tower. Ralph, KC2YNL has sanded the tower and Ted Copp, N2KPS and his sons have restrung the cables for raising and lowering the tower.

New Members

An application for membership with the appropriate fees was received from Jeff Lambert, KC2ZDK from Brick. Jeff is a computer tech who has a General class license and active on HF as well as 2 meters and 70 cm. He likes to chase DX and is also interested in biking and boating. Jeff was voted in as an active member unanimously.

An application for membership with the appropriate fees was received from Alan Sherman, W2NIR from West Long Branch. Alan is a retired operations research analyst and holds a General class license. Licensed since 1952, he is active on the higher HF bands as well as 2 meters. Other interests include photography, race walking and TV. Alan was voted in as an active member unanimously.

New Business

Bruce, K2QXW suggested that GSARA look into using patch.com on the internet to publicize our activities.

Band pass filters for 80 and 20 meters were donated to the GSARA.

Announcements

GSARA will be conducting a one-day tech class training session at the Red Cross on Saturday, July 23 with a VE test to be conducted at the close at around 4 PM. Jeff, N2LXM showed a proposed folder to be distributed to each participant.

Joe, W2KQ announced that the American Legion is forming an amateur radio club. Any American Legion members who are amateurs are invited to join.

The GSARA Hamfest is coming up on September 10.

Public Service

Tom, N2VFK announced two public service events for October. They are the Juvenile Diabetes Walk on the morning of October 9 and the CROP walk on the afternoon of October 16. If you can help with either event, please contact Tom.

Program

Frank, W2XYZ gave an interesting report regarding his spending a month in Joplin, MO as a Red Cross volunteer. He showed many pictures of the destruction from the tornado. There were a total

of 500 Red Cross volunteers who helped out in this disaster and about \$31 million dollars were spent from Red Cross donations.

Close

A 50-50 door prize of \$10.50 was won by Tony, KA2ZSI. There being no further business, a motion was made by Joe, W2KQ and seconded by Ted, N2KPS to close the meeting. The motion passed unanimously.

ISS SURVIVES NEAR MISS OF JUNK

Just after 8 AM (EDT) on Tuesday, June 29, the six residents of the International Space Station (ISS) climbed into two Soyuz space capsules as an unidentified object hurtled past them at a speed of 29,000 miles per hour, missing the space station by only 1100 feet. This was only the second time in the 10 year history of people living on the space station that the crew needed to take such precautions. If the station had been hit, the crew could have quickly undocked from the ISS and



On Monday, June 27, the ISS narrowly missed getting slammed by space junk.

returned to Earth via the space capsules. Currently, there are four hams on board the ISS: Ron Garan, KF5GPO (NASA), Mike Fossum, KF5AQG (NASA), Sergei Volkov, RU3DIS (RKA), and Satoshi Furukawa, KE5DAW (JAXA). The other two cosmonauts -- Andrey Borisenko and Alexander Samokutyaev -- are not licensed. Read more here.

From *The ARRL Letter*, June 30, 2011

ARRL LAUNCHES ONLINE FORUMS

To assist League members in communicating with one another and with ARRL staff on topics of common interest, the ARRL has established three forums -- Contesting, Awards and Technology -- on the ARRL website. Visit www.arrl.org/forums to chat with fellow hams about these topics. Additional forums are planned once we have gained some experience with these three. ARRL members, guest users and others can view the threads, but in order to participate in the conversations or ask questions, you must be logged in as an ARRL member. All users should read the forum rules before participating. From *The ARRL Letter*, July 21, 2011

ARRL AND SOCIAL MEDIA

ARRL participates on many of the popular social networking sites to share news, photos, events and videos. Check out these sites for communities of ARRL members who share your interests in Amateur Radio. We'll share everything with you -- and you can share with us, too!

Find Us on Facebook

www.facebook.com/ARRL.org -- With almost 20,000 fans, the ARRL's Facebook page is the largest Amateur Radio site in social media.



www.facebook.com/LogbookOfTheWorld -- A nifty way to follow the latest LoTW news. LoTW is an exciting way for radio amateurs to confirm two-way contacts they have made and use the confirmations as credit toward various ARRL awards.

Follow Us on Twitter

arrl -- Find all of the latest information in the Amateur Radio community with this Amateur Radio newsfeed.



ARRL_EMCOMM -- Interested in Emergency Communications? Then be sure to follow all the latest EmComm and ARES® happenings.

ARRL_PR -- Geared toward the ARRL Public Information Coordinators and Public Information Officers in the League's Field Organization, this Twitter feed focuses on public relations and media issues involving Amateur Radio.

ARRL_DXCC -- The Twitter home of the ARRL's DXCC awards program.

ARRL_Youth -- For the young and young-at-heart, this Twitter feed delves into how youth can have fun with Amateur Radio.

Watch Us on YouTube



www.youtube.com/ARRLHQ -- Catch the latest videos from the ARRL - including monthly Product Reviews and event highlights -- on the League's YouTube channel.

Listen to Us on iTunes



www.arrl.org/arrlletter/audio/aan.rss -- Listen and download the latest ARRL news, uploaded as a podcast to iTunes. Click here for instructions on how to subscribe to this weekly feature.

From *The ARRL Letter*, July 21, 2011

SPACE SHUTTLE PROGRAM ENDS

As Atlantis once again touched the Earth in Florida on Thursday, July 21, an era came to an end. This era saw dreams realized when men and women could go into space on a craft -- the space shuttle -- that could be used again and again. NASA's space shuttle fleet has set dreams aflight since its first launch on April 12, 1981, starting with Columbia and continuing with Challenger, Discovery, Atlantis and Endeavour. These crafts have carried people into orbit repeatedly, launched, recovered and repaired satellites, conducted cutting-edge research and transported materials to help build the largest structure in space, the International Space Station.

Barely 30 months after Columbia first lifted to the skies, radio amateurs around the world were excited about another first: a ham in space. It was 1983 -- the third year of the space shuttle program -- and Mission Specialist Owen Garriott, W5LFL, was on board Columbia for mission STS-9. NASA had given Garriott permission to attempt radio

contact with Amateur Radio operators on Earth during his free time. Read more here.

From *The ARRL Letter*, July 21, 2011

SOUTH SUDAN NOW DXCC ENTITY

At 10 AM (EDT) on Thursday, July 14, the UN General Assembly met to vote on whether or not to admit the Republic of South Sudan as its 193rd member state. The Republic of South Sudan was admitted by a vote of acclamation and is now a member of the United Nations. Immediately following the General Assembly meeting, the flag of the Republic of South Sudan flew for the first time in front of the UN, ceremoniously marking its membership in the UN. The membership of the Republic of South Sudan in the United Nations invokes DXCC status under Section II, 1(a) of the DXCC rules. As such, the new country is declared a DXCC entity and QSOs for this new entity will be accepted immediately, with a start date of July 14, 2011.



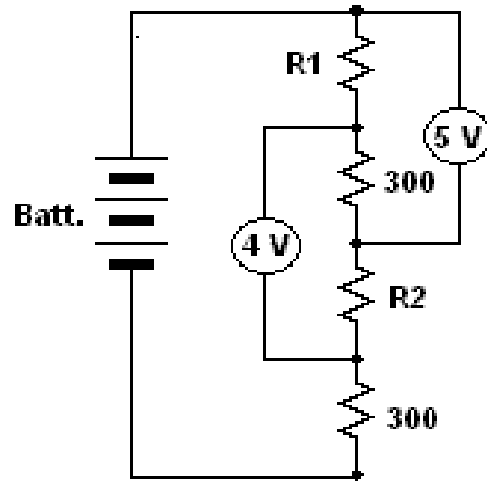
The flag of the Republic of South Sudan

According to DXCC Manager Bill Moore, NC1L, the Honor Roll numbers move from 340 to 341 for the Top of the Honor Roll, and for Honor Roll it becomes 332. "The deadline for the Honor Roll and annual listings is December 31, so you must submit the new entity to DXCC by then in order to retain your Honor Roll status," Moore explained. "For Logbook of The World (LoTW), you may submit all your QSOs with the Republic of South Sudan stations anytime. There is no need to hold them out of your log or do anything differently from what you already have been doing. You do not need to assign country names or identifiers. After we issue certificates to the Republic of South Sudan license holders, LoTW will make matches and assign the correct entities automatically. "Click here for more on how the Republic of South Sudan became the newest DXCC entity.

From *The ARRL Letter*, July 14, 2011

PUZZLE #10 – BATTERY VOLTAGE

R1, R2 and two 300 ohm resistors are connected in series across a battery as shown below. A voltmeter across R1 and the 300 ohm resistor reads 5 volts. Another voltmeter across the 300 ohm resistor and R2 reads 4 volts. What is the voltage of the battery?



Send your answer to w2od@aol.com

THE TOWER MAINTENANCE "A" TEAM



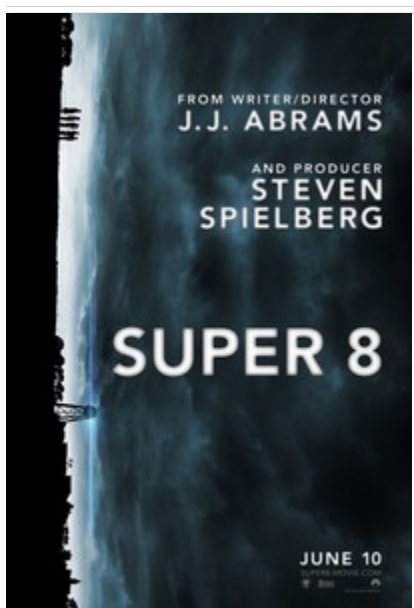
Ralph KC2YNL, Ted N2KPS with second harmonic Matthew, and third harmonic Timothy have been instrumental in making our club's tower operational. Using the stainless steel cable donated by member Steve Jackson, N2WLH; Ted was able to figure out the correct cable routing and replace the damaged cables. Ralph sanded all the surface rust from the tower, virtually by himself while future Hams Matthew and Timothy provided much needed ground support. The next phase is getting the tower painted.

FIFTEEN YEARS AGO

From the August 1996 Propagator: A barbecue picnic is scheduled at Fireman's Field in Ocean Township for GSARA on Saturday, August 17, 1996. Joining GSARA were Andy Beringer, AA2ZL and Geoff Bullock not yet licensed but later KC2AMA. Lou Russo upgraded to Extra and his call was changed KB2RIO to AB2BQ (later changed again to W2HAM). GSARA is planning on running a special event station at Ft. Hancock on Sandy Hook on August 9, 10, & 11. Gioia Marconi, younger daughter of Guglielmo Marconi's first marriage died at age 80.

MOVIE FEATURES AMATEUR RADIO

The summer of 2011 is replete with big movies, ranging from action-adventure flicks to comedies to coming-of-age dramas. And already this summer, Amateur Radio has played a part in not one, but two movies. In Mr. Popper's Penguins, ham radio



Super 8 features a Heathkit Seneca transmitter during a crucial scene.

was featured, albeit incorrectly, on the big screen. And now *Super 8* -- a film set just outside Dayton, Ohio in 1979 -- uses Amateur Radio in a crucial scene. *Super 8* revolves around a group of six middle-schoolers who witness a mysterious train crash in the fictional town of Lillian. Soon after the crash, the Air Force arrives and strange things start happening in the small town. The kids, a group of young film makers (hence the title of the movie) begin to investigate the creepy phenomena. Read more here.

From *The ARRL Letter*, July 7, 2011

SOLUTION TO PUZZLE #9 – THE EXAM

One solution to the puzzle is to recall your high school algebra. Let C be the number of questions the daughter got right. Then the number of questions answered incorrectly would be $35-C$. Since she got \$15 for each correct answer, the total collected for correct answers would be $15C$. The total paid for incorrect answers would be $10(35-C)$ or $350-10C$. Equating the two gives:

$$15C = 350 - 10C$$

Moving the unknowns to the left side of the equations gives:

$25C = 350$; So, $C = 350/25 = 14$ correct answers. She has to do a lot more studying!

If you're rusty with your algebra, you can just use trial and error to arrive at the answer. For example, see what happens if she got 20 questions right. She would collect \$300 for that but would have to pay \$150 for her 15 incorrect answers. Instead of breaking even, she would be ahead by \$150 so the solution is that she answered less than 20 questions correctly. Let's try 10 correct answers for which she would collect \$150 but she would pay \$250 for the 25 incorrect answers. This puts her in the hole so she answered more than 10 correctly. If you next try 15 correct answers, she would collect \$225 but pay \$200 for the 20 incorrect answers. That's close to even but she must have answered less than 15 questions correctly. If we try 14 correct answers (21 incorrect), everything comes out even with \$210 collected for 14 correct and \$210 paid for 21 incorrect.

Finally, one of the submitted solutions used an Excel spreadsheet to show all of the possibilities and yield the correct answer.

Thanks to Bill, NJ2H; Vince, KE2V; Matt, W2AOJ; Bruce, K2QXW and Frank, W2XYZ for all submitting the correct solutions.

TWENTY YEARS AGO

From the August-September 1991 Propagator: A GSARA Hamfest is planned for October 13 at Allaire Airport. A donation of \$100 was sent to the ARRL Scholarship Fund in memory of Bill Saker, KG2U-SK. GSARA ran a Novice class at the Red Bank YMCA and 3 people passed the novice exam and were given one year honorary membership in GSARA. Jim Pope, WB2QMP gave some hints on how to get QSL cards from rare DX stations.

RECONROBOTICS FINED \$17,500

On Wednesday, July 13, the FCC announced that its Enforcement Bureau and ReconRobotics have entered into a Consent Decree. This resolves an FCC investigation in response to a complaint filed by the ARRL. In 2010, the ARRL alleged that ReconRobotics had violated Section 302a(b) of the Communications Act of 1934 as amended and Section 2.803 of the Commission's rules regarding the manufacturing, marketing, distributing and selling of radio frequency transmitters. In the complaint the ARRL alleged that ReconRobotics had unlawfully marketed the Recon Scout -- a remote-controlled, maneuverable surveillance robot operating in the 430-448 MHz band -- to public safety agencies and certain security personnel prior to the grant of a necessary waiver. The FCC granted a waiver to ReconRobotics in 2010 allowing public safety licensees to operate the device in a portion of the 70 cm band. To date, no license applications have been granted by the Commission for the device and the ARRL has petitioned to deny all applications filed. Read more here.

From *The ARRL Letter*, July 14, 2011

TWENTY FIVE YEARS AGO

From the August 1986 Propagator: Lou Eloe, WA2SSH became a silent key. New badges are being designed with the GSARA logo to replace the original saucer-sized round metal badges. Treasure Island operation coordinated by Harry, KN2B is coming up on October 4-5.

AREA AMATEUR EXAM SESSIONS

Amateur radio exam sessions in this area are as follows but please check with the contact person.

Wall Township, Camp Evans Area on Marconi Road: Exams are held on the first Saturday of the even numbered months (August 6) at 10 AM. Contact Pat Brannick, N2BZD at 732-267-0308 or e-mail to pbrannick@aol.com.

Middletown, Croyden Hall on Leonardo Road: Exams are on the second Tuesday of every month at 7 PM. Contact Mario Sellitti, N2PVP 732-787-7184 or e-mail to n2pvp@n2pvp.com.

Toms River, Riverview Park Recreation Building: Exams are held on the third Thursday of every month at 7:30 PM. Contact Ed Genoio, WA2NDA at 609-971-2792, wa2nda@aol.com.

Toms River, Holiday City South Clubhouse, Meeting Room #1, Mule Road at the corner of Santiago Drive on the second Wednesday of every month at 7 PM. Contact Larry Puccio, K2QDY, 732-349-2950 or lpuccio1@comcast.net. Directions at the HCARC website www.hcarc.us.

In all cases, the fee is \$15 and you should bring the original and a copy of any amateur license presently held and original and one copy of any credit (CSCE) forms you have. Also bring 2 forms of ID with one being a picture ID.

QUICKSTATS POLL ON ARRL WEBSITE

Four new poll questions have just been published on the QuickStats page on the ARRL website. Let your voice be heard!

Questions in this month's QuickStats poll:

Is it becoming more difficult to find parts for your homebrew projects?

Have your neighbors ever complained about your outdoor antennas?

What is your favorite source for used Amateur Radio equipment?

Are you active on 6 meter FM?

Visit the QuickStats page and be sure to bookmark it in your browser. Results from this QuickStats poll will be published in the October 2011 issue of QST on the QuickStats page, located in the rear advertising section of the magazine.

From *The ARRL Letter*, July 14, 2011

SOUTH DAKOTA TOWER ACCIDENT

As a group of South Dakota hams were dismantling a 110 foot tower outside of Hot Springs on Saturday, July 16, a gust of wind toppled the final section, trapping two local hams underneath. Tim Anderson, K0OR, 54, and Tom Embree, NC0K, were transported to Rapid City Regional Hospital via helicopter, where Anderson died of his injuries. Embree underwent surgery on Sunday and Wednesday; he remains in serious condition. Both are members of the Hot Springs Amateur Radio Club; Anderson was the club's president. Hot Springs is located about 57 miles south of Rapid City. Read more here.

From *The ARRL Letter*, July 21, 2011

NOTES ON CALENDAR (see last page)

Large Call letters denote birthdays e.g. NJ2H on August 8. All times are EDST. Contests are listed in the August QST, p. 77.

August 1 - **Monmouth County ARES Net** meets on 147.045 +600, PL=67.0 at 7:30 pm.

August 2 - **Middletown Pancake House Luncheon** at noon at left rear table. All are welcome.

August 2 - **Monmouth Amateur Radio Club meeting** at 7 pm in Union Beach Police Annex (Municipal Building) on Poole Avenue.

August 2 - **Old Barney ARC Meeting**, 7:30 pm at Ocean Acres Community Center in Manahawkin, NJ. See <http://www.obarc.org>

August 2 and every following Tuesday - **QCWA News Net** on 147.045 PL=67 at 9:00 pm.

August 3 - **GSARA Meeting** at 7:30 PM at the Red Cross, West Park Ave. and Shafto Road in Tinton Falls.

August 3 - **WIAW Qualifying Run** at 10 pm (10-35 wpm). See August QST, p. 77 or www.arrl.org/wlaw

August 4 - **Holiday City ARC meeting** at 7 pm at Holiday City South Clubhouse in Toms River.

Aug. 5-7 - **Lighthouse/Lightship Weekend**, all modes HF from 8 PM Friday to 8 pm Sunday. See illw.org

Aug. 6-7 - **North American CW QSO Party**, HF bands from 2 pm Saturday to 2 am Sunday. See ncjweb.com

August 7 and every Sunday - **InfoAge Marconi Hotel** open from 1 to 5 pm on Marconi Road in Wall.

August 8 - **Monmouth County RACES Net** meets on 147.045 +600, PL=67.0 at 7:30 pm.

August 8 - **VE Test Session** at Croyden Hall, Leonardo section of Middletown at 7:00 pm. For more information, contact Mario Sellitti, N2PVP at 732-787-7184 or n2pvp@n2pvp.com

August 10 - **Holiday City VE Session** at 7 pm in Toms River. Contact is Larry Puccio, K2QDY at 732-349-2950 or e-mail at lpuccio1@comcast.net

August 11 - **JSARS meeting** in Riverwood Park Recreation Building, Rt. 527 and Riverwood Drive in Toms River at 7:30 pm.

August 13 - **OMARC Meeting**, 9:00 am at the Diana Site on Marconi Road, Wall, NJ. Guests are welcome.

August 15 - **Monmouth County ARES Net** meets on 147.045 +600, PL=67.0 at 7:30 pm.

August 17 - **GSARA Meeting** at 7:30 pm at the Red Cross in Tinton Falls. Bill Hudzik, W2UDT will talk about the latest news from ARRL and listen to any of our concerns.

August 18 - **WIAW Qualifying Run** at 4 pm (10-35 wpm). See August QST, p. 77 or www.arrl.org/wlaw

August 18 - **JSARS VE Test Session** at 7:30 pm Riverview Park Recreation Bldg., Rt. 527 and Riverwood Drive in Toms River. Contact Ed Genoino, WA2NDA at 609-971-2792 or wa2nda@comcast.net.

Aug. 20-21 - **North American Phone QSO Party**, HF bands from 2 pm Saturday to 2 am Sunday. See ncjweb.com

August 21 - **ARRL Rookie Roundup**, HF + 6 meters digital modes from 2 pm to 7:59 pm. See arrl.org/contests

August 22 - **Monmouth County ARES Net** meets on 147.045 +600, PL=67.0 at 7:30 pm.

August 27 - **Neptune Amateur Radio Club Meeting** at 9 am at the American Legion on Gully Road.

Aug. 27-28 - **Hawaii QSO Party**, HF all modes from midnight Friday to 6 PM Sunday. See www.karcnethttp://www.karc.net

August 29 - **Monmouth County RACES Net** meets on 147.045 +600, PL=67.0 at 7:30 pm.

Sunday	Monday	Tuesday	Wednesday	Thursday	Friday	Saturday
	1 ARES/RACES 7:30	2 Pancake House MARC Mtg 7 PM Old Barney ARC QCWA News 9 PM	3 GSARA Mtg CW Qual. Run	4 Hol. City Mtg.	5 Lighthouse	6 Lighthouse NA QSO CW
7 Lighthouse NA QSO CW InfoAge	8 NJ2H RACES Net 7:30	9 WA2DJN Croyden VE 7 PM QCWA News 9 PM	10 Hol. City VE	11 JSARS Mtg.	12	13 OMARC Mtg K2TQN
14 N2GT InfoAge	15 ARES/RACES 7:30	16 QCWA News 9 PM	17 K2EI GSARA Mtg.	18 CW Qual. Run JSARS VE	19	20 NA QSO SSB
21 NA QSO SSB Rookie Rndup InfoAge	22 RACES Net 7:30	23 QCWA News 9 PM	24	25	26	27 Neptune Mtg Hawaii QSO
28 Hawaii QSO InfoAge	29 ARES/RACES 7:30	30 QCWA News 9 PM	31			



G.S.A.R.A.

8 DONNER STREET

HOLMDEL, NJ 07733

FIRST CLASS